

C. 1.1.1

C. 1.1.1.1. This diagram shows the internal structure of a latrine. It includes a water supply pipe, a vent pipe, and a waste pipe. The waste pipe is connected to a chamber that leads to a pit. The vent pipe is connected to the chamber and extends above the roof. The water supply pipe is connected to the chamber and extends above the roof. The diagram shows the internal structure of the latrine, including the water supply pipe, the vent pipe, and the waste pipe. The waste pipe is connected to a chamber that leads to a pit. The vent pipe is connected to the chamber and extends above the roof. The water supply pipe is connected to the chamber and extends above the roof.

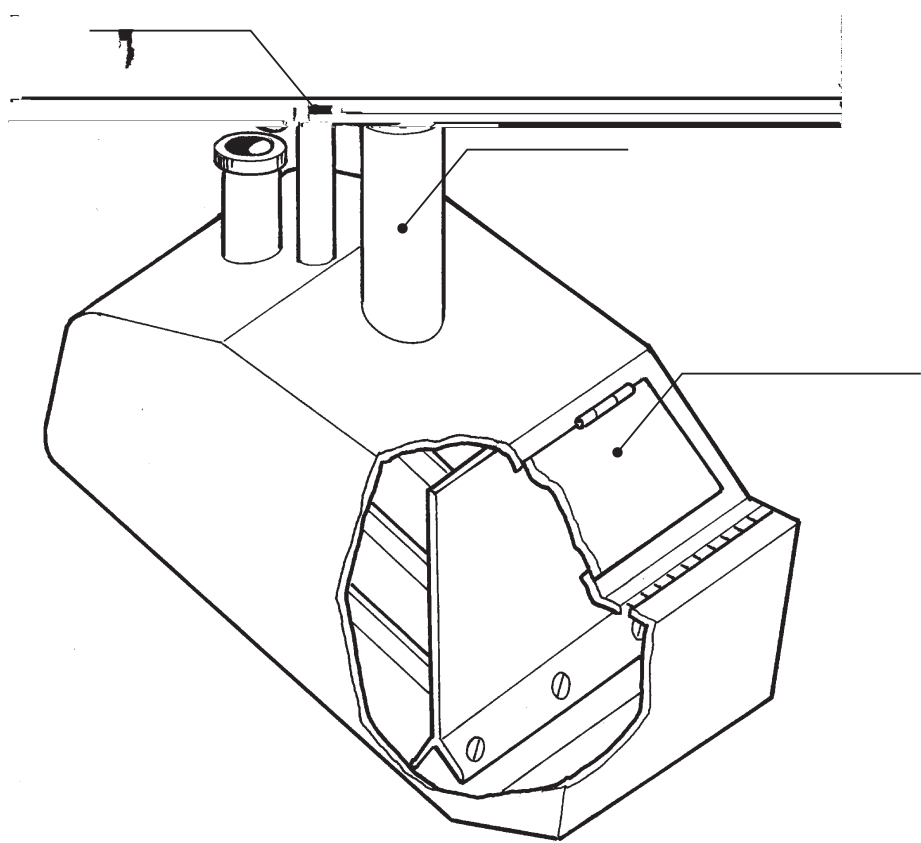
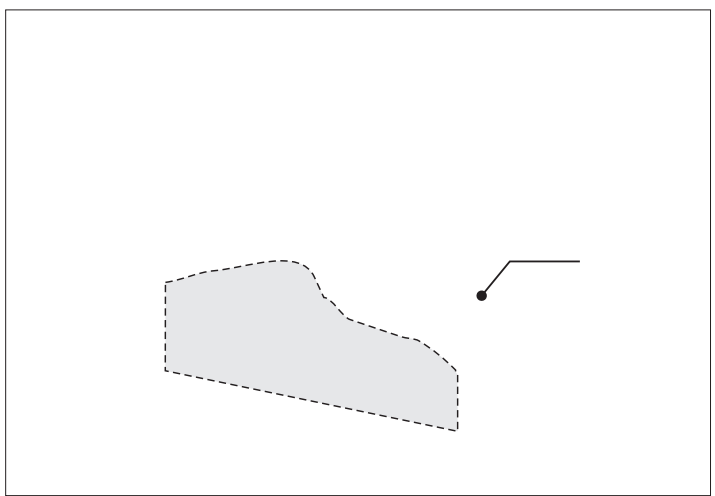


Figure 1.1.1.1
(Latrine superstructure not shown)



B
t t i t t

F e
F R, P t J. R, R, A G i t t D t 70 - t S t t i , WHO, G , 1992.
P t , J n , L - t S t t i : A t t t , i t , I T P t t i , L , 1995.

P B R R S t